

# Weather Stations





# HOBO RX3000 Remote Weather Station

*Research-grade weather monitoring with plug-and-play convenience*



The HOBO RX3000 is a research-grade data logging weather station that combines greater measurement flexibility and an on-board LCD display in a rugged, easy-to-deploy package.

## Supported Measurements:

Temperature, Relative Humidity, Dew Point, Solar Radiation, PAR, Rainfall, Wind Speed, Wind Direction, Soil Moisture, Barometric Pressure, Leaf Wetness, 4-20mA, Voltage Input, Pulse Input

## Key Advantages:

- Cloud-based data access
- Configure & check on your RX3000 from mobile devices
- Plug-and-play operation
- Flexible support for a broad range of sensors
- LCD display for easy field deployment
- Alarm notifications via text, email
- Rugged double-weatherproof enclosure

## Minimum System Requirements:



Software  
See pg 38



HOBOLink  
Data plan\*



Power  
source<sup>1</sup>



Sensor\*  
See pg 41

► For complete information and accessories, please visit: [www.onsetcomp.com](http://www.onsetcomp.com)

Part number	RX3001-00-01 (ETH)	RX3002-00-01 (WiFi)	RX3003-00-01 (3G)
Smart Sensor Connectors	10 (up to 15 data channels; some sensors use more than one data channel)		
Maximum Number of Sensors	18 (when 2 Analog Modules are configured in the station)		
Smart Sensor Cable Length	100 m (328 ft) maximum		
Module Slots	2 (for optional Analog or Relay module; see manual for detailed module specification)		
Fastest Logging Rate	1 second	1 second	1 minute
Memory	32 MB, 2 million measurements		
Alarm notification latency	Logging interval plus 2-4 minutes, typical		
Environmental Rating	Weatherproof enclosure, NEMA 4X		
Operating Range	-40° to 60°C (-40° to 140°F)		
Power	Onset solar panel, AC charger or user-provided external power supply is required		
Battery Life	Typical 3-5 years; 4 Volt, 10 AHr, rechargeable sealed lead-acid		
Size	18.6 x 18.1 x 11.8 cm (7.3 x 7.1 x 4.7 in.)		
Weight	2.2 kg (4.85 lb)		
Communications	RJ45/100BaseT	IEEE 802.11 b/g/n	GSM/GPRS/EDGE: Quad band 850/900/1800/1900 MHz, UMTS/HSPA+: Five band 800/850/900/1900/2100 MHz
CE Compliant	Yes		

\*Requires paid data plan. See page 40 for more details.

<sup>1</sup>AC power adapter or solar panel required. See page 46. For more details, please visit [onsetcomp.com](http://onsetcomp.com), or call us at 1-800-564-4377.

# HOBO Weather Stations

*Research-grade weather monitoring with plug-and-play convenience*

HOBO Weather Stations save you time and money by offering plug-and-play convenience and research-grade performance.



## HOBO RX3000

- 10 Smart Sensor inputs
- Cloud-based data access
- Configure & check from mobile devices
- Supports broad range of sensors
- LCD display
- Optional analog sensor & relay modules

[Lean more on page 21](#)



## HOBO U30-NRC

- 5 or 10 Smart Sensor inputs
- Optional analog sensor port
- Built-in relay
- Supports broad range of sensors

[Lean more on page 24](#)



## HOBO H21-USB

- 5 Smart Sensor inputs
- Compact, low-cost
- Weatherproof IP66 enclosure
- Supports broad range of sensors

[Lean more on page 25](#)



### 2 Meter Tripod

M-TPB

- Height range: 1.72 to 2.13 m (5.6 to 7 ft)
- Mast diameter: 4.1 cm (1.63 in)
- Weight: 5.8 kg (12.8 lbs)

M-GKA Grounding Kit is recommended when using tripods in exposed locations.  
2 Meter Tripod Kit also available M-TPB-KIT

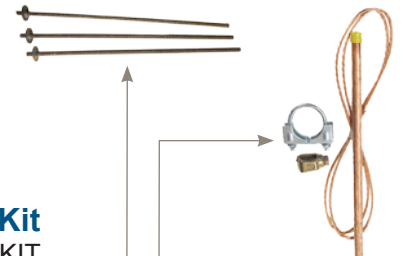


### 3 Meter Tripod

M-TPA (shown at right)

- Height range: 2.74 to 3.20 m (9 to 10.5 ft)
- Mast diameter: 4.1 cm (1.63 in)
- Weight: 12.7 kg (28 lbs)
- Maximum slope: 13 degrees for installation on moderately uneven ground

M-GKA Grounding Kit is recommended when using tripods in exposed locations.



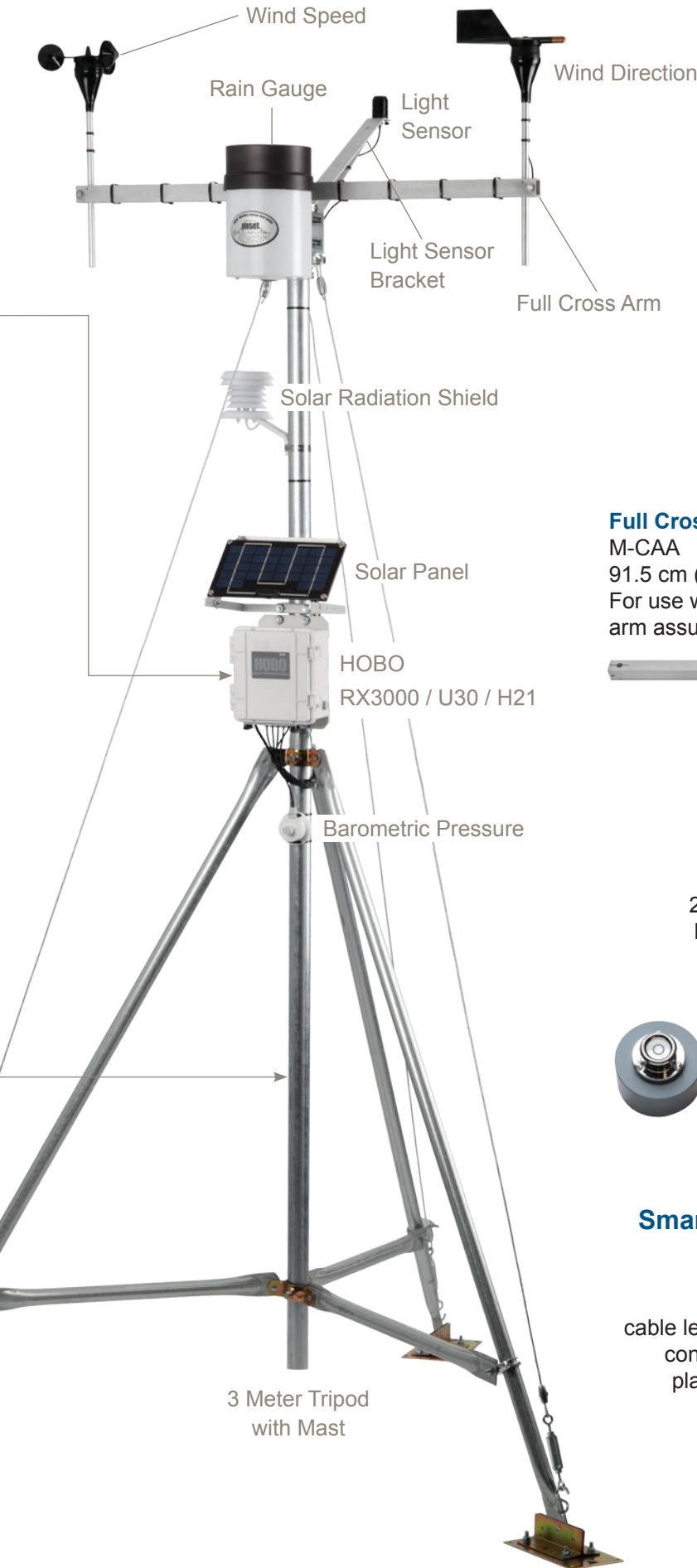
### 3 Meter Tripod Kit

M-TPA-KIT

- 3-meter tripod (M-TPA)
- 1/2-in Stake Kit (M-SKA) for guy wires
- Grounding Kit (M-GKA)
- Guy Wire Kit (M-GWA)
- Mast Level (M-MLA)



# HOBO Weather Stations



## Light Sensor Bracket

M-LBB  
Includes leveling screws and u-bolts for mast mounting.



## Solar Radiation Shield

RS3-B  
Pre-assembled for S-THBs, S-TMBs, includes clamp for mast mounting.



## Full Cross Arm

M-CAA  
91.5 cm (36 in)  
For use with Onset tripods or masts, the full cross arm assures unobstructed wind measurement.



## NDVI Light Sensor Bracket

M-NDVI  
Used to mount 2 PAR sensors and 2 solar radiation sensors for making NDVI measurements. Also requires M-LBB light sensor bracket.



## Light Sensor Level

M-LLA  
Purchase one for use on any number of light sensors.



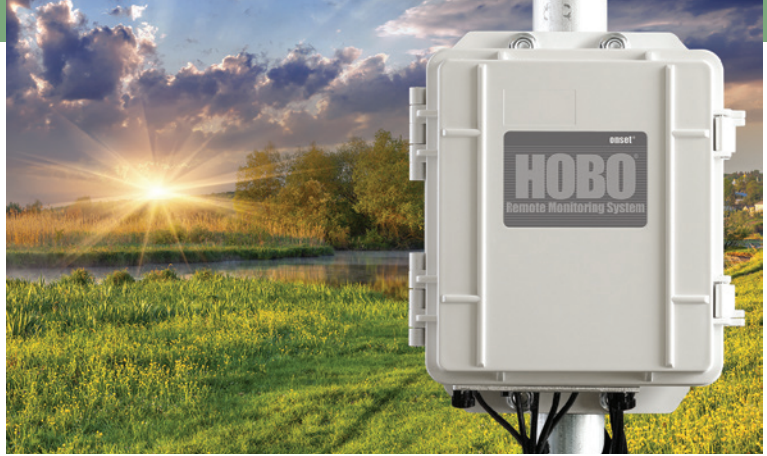
## Smart Sensor Extension Cables

S-EXT-M0xx  
2 m, 5 m, 10 m, 25 m  
(16 ft, 33 ft, 82 ft)  
cable lengths available. Use individually or connected together to optimize sensor placement. A weatherproof housing is required for outdoor connections (Part# S-EXT-CASE2).  
Network cable length limited to 100 meters per data logger.



# HOBO U30-NRC Weather Station

*Research-grade data logging weather station*



This rugged weather station is one of Onset's most durable outdoor environmental monitoring solutions. Users can easily configure the HOBO U30-NRC Weather Station to fit their application needs. Use up to 15 channels to collect environmental data and then upload to HOBOWare Pro software for expert analysis.

## Supported Measurements:

Barometric Pressure, Leaf Wetness, Light Intensity, PAR, Pulse Input, Rainfall, Relative Humidity, Soil Moisture, Solar Radiation, Temperature, Wind Speed & Direction, 4-20mA, Voltage Input

## Key Advantages:

- Rugged double-weatherproof, tamper-proof enclosure
- Setup is quick and easy with plug-and-play sensors
- Fast data offload via USB
- Optional analog inputs with sensor excitation
- Includes relay that can be activated on user-defined alarm conditions

## Minimum System Requirements:



Software  
See pg 38



Power source<sup>1</sup>



Sensor\*  
See pg 41

► For complete information and accessories, please visit: [www.onsetcomp.com](http://www.onsetcomp.com)

Part number	U30-NRC
Smart-Sensor Inputs	5 or 10
Data Channels	Maximum of 15 (some sensors use more than one data channel)
Smart Sensor Cable Length	100m (323ft) maximum
Alarm Relay	Can be activated, deactivated or pulsed on user-defined sensor alarms.
Logging Interval	1 minute to 18 hours, user-specified
Data Storage Memory	512K bytes local storage in non-volatile flash memory
Environmental Rating	Weatherproof enclosure, NEMA 4x
Operating Range	-40 to 60°C (-40 to 140°F) see battery life
Power	An Onset solar panel (3w, or 6w) or AC adapter is required
Battery Life	3-5 years, 4 volt 10 AHr rechargeable sealed lead acid
Dimensions	17.8 x 11.7 x 19.3 cm (7.0 x 4.6 x 7.6 in)
Weight	2kg (4lbs 10oz)
Local Communication	USB
CE Compliant	Yes

<sup>1</sup>AC power adapter or solar panel required. See page 46. For more details, please visit [onsetcomp.com](http://onsetcomp.com), or call us at 1-800-564-4377.



# HOBO USB Micro Station

**Multi-channel weatherproof station for monitoring outdoor environmental conditions**



Rugged and compact, the redesigned HOBO USB Micro Station is a weatherproof data logger for multi-channel monitoring of microclimates. This battery-powered station accepts up to five plug-and-play Smart Sensors and has a hinged door to make sensor installation simple and quick. The Micro Station is equipped with a built-in USB port for fast, efficient data readout to a computer, and integrated mounting tabs for easy installation.

## Key Advantages:

- Compact size for easy deployment
- Weatherproof IP66 enclosure for harsh environments
- Direct USB offload--no need for an adapter cable
- Includes five plug and play Smart Sensor inputs
- Hinged door and integrated mounting tabs
- Runs for up to a year on four standard AA batteries
- Compatible with HOBOWare and HOBOWare Pro software for logger setup, graphing and analysis

## Supported Measurements:

4-20mA, Amp Hour, Barometric Pressure, DC Voltage, Kilowatt Hours, Leaf Wetness, Light Intensity, Power Factor, Pulse Input, Rainfall, Relative Humidity, Soil Moisture, Temperature, Volt-Amp Reactive, Volt-Amp Reactive hour, Volt-Amps, Water Flow, Watt Hours, Watts, Wind

## Minimum System Requirements:



Software  
See pg 38



USB cable\*



Sensor\*  
See pg 41

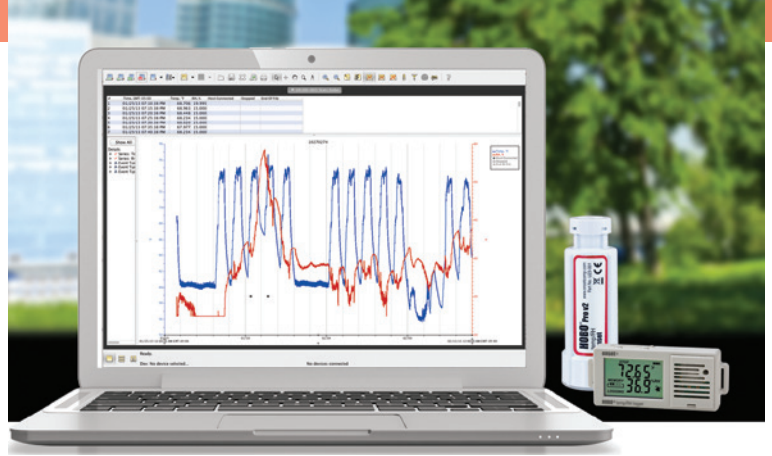
► For complete information and accessories, please visit: [www.onsetcomp.com](http://www.onsetcomp.com)

Part number	H21-USB
Operating Range	-20° to 50°C (-4° to 122°F) with alkaline batteries -40 to 70°C (-40 to 158°F) with lithium batteries
Smart Sensor Connectors	5
Smart Sensor Network Cable Length	100 m (328 ft) maximum
Logging Interval	1 second to 18 hours
Start Modes	Immediate, at interval, push button, or delayed start
Memory Modes	Stop when full or wrap when full
Memory	512 KB nonvolatile flash data storage
Time Accuracy	0 to 2 seconds for the first data point and ±5 seconds per week at 25°C (77°F)
Battery Type	Four AA 1.5 V alkaline batteries for operating conditions of -20° to 50°C (-4° to 122°F); four AA 1.5 V lithium batteries for operating conditions of -40 to 70°C (-40 to 158°F)
Battery Life	1 year, typical use (up to five sensors with 1 minute or greater logging interval)
Communication Type	USB 2.0 interface
Full Memory Download Time	4 minutes
Enclosure Access	Hinged door secured by one latch with eyelet for use with user-supplied padlock
Materials	Outer enclosure: Polycarbonate/PBT blend with stainless steel hinge pins; Gasket: Silicone foam; Cable channel: EPDM rubber
Dimensions	17.04 x 11.94 x 4.47 cm (6.71 x 4.70 x 1.76 in.) Padlock hole diameter: 0.58 cm (0.23 in.)
Weight	414 g (14.6 oz)
Environmental Rating	Weatherproof enclosure, NEMA 4X and IP66
CE Compliant	Yes

\*USB cable included with software part # BHW-PRO-CD

# HOBOWare / HOBOWare Pro

Graphing and analysis software



HOBOWare is Onset's flagship setup, graphing and analysis software package for HOBOWare data loggers. It allows you to view, graph, and analyze data with point-and-click simplicity. You can easily set up your application in a matter of minutes, quickly read out and plot data, and export to spreadsheets for further analysis.

## Standard Features:

- Simple menus for fast, easy logger setup and readout
- Scaling to real-world engineering units
- Presentation-quality graphs
- Easy export of data files to text format
- Free download

## HOBOWare Pro Features:

- Time-saving tools for fast setup and readout
- Advanced plotting tools for more precise data analysis
- Access to Data Assistants for post-processing data

Download HOBOWare today at [onsetcomp.com](http://onsetcomp.com).

Or download your free 30-day trial of HOBOWare Pro. From setup to analysis, no other data logger software can compare to the power and simplicity of HOBOWare Pro.

## HOBOWare features comparison

	HOBOWare	HOBOWare Pro
Support for all HOBOWare data loggers	✓	✓
Quickly generate presentation-quality graphs	✓	✓
Copy & paste series	✓	✓
Merge data files	✓	✓
Save modified graphs as projects	✓	✓
Easy data export to XLS, CSV, & TXT files	✓	✓
Linear & Pulse Scaling Data Assistants	✓	✓
Time-saving tools for fast setup, readout & export		✓
Data Assistants for post processing Dissolved Oxygen, Conductivity, Water Level, Growing Degree Days, Grains per Pound & kWh		✓
Ability to create pie charts		✓
Crop a series to a specific time frame		✓
Subset Statistics Tool for details within a time frame		✓
21 CFR Part11 Compliance		✓
Data Shuttle support		✓
HOBOWare node manager to support Data Nodes		✓
	Free Download	

## System Requirements

- Windows: Windows 8 and 8.1 (Core, Pro), Windows 7 (Pro, Ultimate and Home Premium), Windows 10 (Home, Pro).
- Windows 7 Enterprise: Note: While HOBOWare has been modified to work on Windows 7 Enterprise, there may be local configurations of that operating system that will not work with HOBOWare.
- Mac: OS X Versions 10.9.x, 10.10.x and 10.11.x.
- Java Runtime Environment (JRE) 1.7.0\_17 and above (32-bit or 64-bit on Windows). Please note that version 1.6, also known as Java 6, is no longer supported. See the time zone note below.
- One of the following Internet browsers: Safari 7 and 8, Microsoft Internet Explorer 10 and 11, as well as the most recent versions of Firefox and Google Chrome.
- Minimum screen resolution of 1024x768. Recommended screen resolution of 1280x800 or greater particularly for non-English users.
- 256+ colors
- 1.8 GHz single core CPU, 1GM RAM

# HOBOLink Web-Based Display/Readout

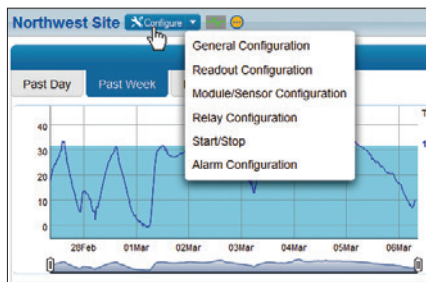
## Powerful web-based access to HOBO RX3000 Remote Monitoring Systems



HOBOLink is a web-enabled software platform designed for HOBO RX3000 Remote Monitoring Systems. This data logger software allows you to easily access current and historical data, set alarm notifications and relay activations, and manage and control your HOBO RX3000 web-based data logging systems. See pages 13 and 21-23 for more details.

### Key Advantages:

- Get 24/7 web access to your data
- Access your data with a web browser
- Horizontal zoom and cursor readout for easy data analysis
- Verify RX3000 system status remotely
- Set up and manage alarm notifications over the web
- Configure & check on your RX3000 monitoring station from your mobile devices
- Schedule automated delivery of data
- Export exactly the date range and sensors you want
- Supports HOBO U30 Remote Monitoring Systems as well



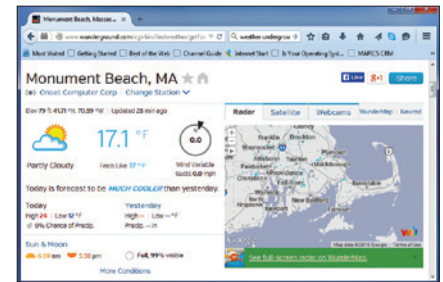
### Web-based configuration

HOBOLink allows you to easily configure sensors, logging, alarm notifications, relay activations, and more.



### Get notified

HOBOLink will send an email or a text message to your phone when conditions exceed set thresholds. Multiple levels of alarms and actions can be set for each sensor.



### Get data automatically

Configure HOBOLink to automatically deliver data from RX3000s to other web-based services, such as Weather Underground.



# External Sensors by Measurement

## Indoor Environmental

### Temperature

Part number	Type	RX3000	U30	H21	H22	U12	U14	UX90	UX100	UX120
S-THB-M002 <sup>1</sup>	12-bit Temp/RH smart (2m cable)	√	√	√	√		√			
S-THB-M008 <sup>1</sup>	12-bit Temp/RH smart (8m cable)	√	√	√	√		√			
S-TMB-M002	12-bit Temp/RH smart (2m cable)	√	√	√	√		√			
S-TMB-M006	12-bit Temp smart (6m cable)	√	√	√	√		√			
S-TMB-M017	12-bit Temp smart (17m cable)	√	√	√	√		√			
TC6-J	Type J beaded thermocouple								√	√
TC6-K	Type K beaded thermocouple								√	√
TC6-T	Type T beaded thermocouple								√	√
TCP6-K12	Type K Probe thermocouple								√	√
TMC1-HD	Air/Water/Soil Temp (1' cable)					√				√
TMC6-HD	Air/Water/Soil Temp (6' cable)					√				√
TMC20-HD	Air/Water/Soil Temp (20' cable)					√				√
TMC50-HD	Air/Water/Soil Temp (50' cable)					√				√
TMC6-HC	Stainless steel Temp probe (6' cable)					√				√
TMC6-HE	Pipe Temp (6' cable)					√				√

### Relative Humidity

Part number	Type	RX3000	U30	H21	H22	U12	U14	UX90	UX100	UX120
S-THB-M002 <sup>1</sup>	12-bit Temp/RH smart (2m cable)	√	√	√	√		√			
S-THB-M008 <sup>1</sup>	12-bit Temp/RH smart (8m cable)	√	√	√	√		√			

### Carbon Dioxide

Part number	Type	RX3000	U30	H21	H22	U12	U14	UX90	UX100	UX120
TEL-7001	Telaire 7001 CO2	√	√		√	√				√

### Air Velocity

Part number	Type	RX3000	U30	H21	H22	U12	U14	UX90	UX100	UX120
T-DCI-F900-L-O	Air Velocity – 5 m/s long	√	√		√	√				√
T-DCI-F900-L-P	Air Velocity – 10 m/s long	√	√		√	√				√
T-DCI-F900-S-O	Air Velocity – 5 m/s std	√	√		√	√				√
T-DCI-F900-S-P	Air Velocity – 10 m/s std	√	√		√	√				√

### Volatile Organic Compound

Part number	Type	RX3000	U30	H21	H22	U12	U14	UX90	UX100	UX120
T-ION-TVOC	Volatile Organic Compound	√	√		√	√				√

### Differential Pressure

Part number	Type	RX3000	U30	H21	H22	U12	U14	UX90	UX100	UX120
T-VER-PXU-L	Differential pressure transducer	√	√		√	√				√
T-VER-PXU-X	Differential pressure transducer	√	√		√	√				√

### Compressed Air Flow

Part number	Type	RX3000	U30	H21	H22	U12	U14	UX90	UX100	UX120
T-CDI-5200-10S	Compressed Air Flow Meter	√	√		√	√				√
T-CDI-5200-20S	Compressed Air Flow Meter	√	√		√	√				√

<sup>1</sup> Note: Temp & RH NIST certification services available for this product. Please visit [onsetcomp.com](http://onsetcomp.com), or call us at 1-800-564-4377.

# External Sensors by Measurement

## Gauge Pressure

Part number	Type	RX3000	U30	H21	H22	U12	U14	UX90	UX100	UX120
T-ASH-G2-100	Ashcroft gauge pressure	√	√		√	√				√
T-ASH-G2-200	Ashcroft gauge pressure	√	√		√	√				√
T-ASH-G2-500	Ashcroft gauge pressure	√	√		√	√				√

## Energy/Power

### kW & kWh

Part number	Type	RX3000	U30	H21	H22	U12	U14	UX90	UX100	UX120
T-VER-E50B2	Power & Energy meter	√	√	√	√					√
T-WNB-3D-240	WattNode 208/240 VAC 3-phase	√	√	√	√			√		√
T-WNB-3D-480	WattNode 480 VAC 3-phase	√	√	√	√			√		√
T-WNB-3Y-208-P	WattNode 208-240VAC 2 or 3 Branch	√	√	√	√					√
T-WNB-3Y-208	WattNode 208/240 VAC 1,2, or 3-Phase	√	√	√	√			√		√
T-VER-8044-100	Veris 480 V, 100 Amp Kilowatt transducer	√	√		√	√				√
T-VER-8051-300	Veris kWh transducer 1-Phase, 300 Amp	√	√	√	√			√		√
T-VER-8053-800	Veris kWh transducer 3-Phase, 800 Amp	√	√	√	√			√		√

## AC & DC Current

Part number	Type	RX3000	U30	H21	H22	U12	U14	UX90	UX100	UX120
CTV-A	2 - 20 Amp split-core AC current sensor					√				√
CTV-B	5 - 50 Amp split-core AC current sensor					√				√
CTV-C	10 - 100 Amp split-core AC current sensor					√				√
CTV-D	20 - 200 Amp split-core AC current sensor					√				√
CTV-E	60 - 600 Amp split-core AC current sensor					√				√
T-MAG-0400-05	0.5 - 5 AMP split-core AC transformer	√	√		√					
T-MAG-0400-20	2 - 20 AMP split-core AC transformer	√	√		√					
T-MAG-0400-50	5 - 50 AMP split-core AC transformer	√	√		√					
T-MAG-0400-75	7.5 - 75 AMP split-core AC transformer	√	√		√					
T-ACT-0750-020	0.2 - 20 Amp split-core AC transformer	√	√		√					
T-ACT-0750-050	0.5 - 50 Amp split-core AC transformer	√	√		√					
T-ACT-0750-100	1 - 100 Amp split-core AC transformer	√	√		√					
T-ACT-0750-250	2.5 - 250 Amp split-core AC transformer	√	√		√					
T-MAG-SCT-100	10 - 100 Amp split-core AC transformer	√	√		√					
T-MAG-SCT-200	20 - 200 Amp split-core AC transformer	√	√		√					
T-MAG-SCT-600	60 - 600 Amp split-core AC transformer	√	√		√					
T-VER-971BP-200	Split-Core Bi-Polar DC transducer	√	√		√	√				√
T-VER-H970-200	Split-Core 200A DC transducer	√	√		√	√				√

## AC & DC Voltage

Part number	Type	RX3000	U30	H21	H22	U12	U14	UX90	UX100	UX120
T-MAG-SPT-150	150 Volt AC potential transformer	√	√		√					
T-MAG-SPT-300	300 Volt AC potential transformer	√	√		√					
T-MAG-SPT-600	600 Volt AC potential transformer	√	√		√					
T-CON-ACT-150	ConLab 0-150 Volt AC transmitter					√				√
T-CON-ACT-300	ConLab 0-300 Volt AC transmitter					√				√
S-CIA-CM14	12-bit 4-20mA input adapter	√	√	√ <sup>1</sup>	√					
S-VIA-CM14	12-bit voltage input adapter	√	√	√ <sup>1</sup>	√					
CABLE-ADAP5	Voltage input cable 0-5 VDC					√				√
CABLE-ADAP10	Voltage input cable 0-10 VDC					√				√
CABLE-ADAP24	Voltage input cable 0-24 VDC									√
CABLE-4-20MA	Measures currents from 0 to 20.1 mA									√
CABLE-2.5-STEREO	Voltage input cable 0-2.5 VDC					√		√		√
S-FS-CVIA	FlexSmart analog module (2 channels)				√					

<sup>1</sup> These require Smart Sensor consolidator box, part# S-ADAPT-6

# External Sensors by Measurement

## Energy/Power (continued)

Amp Hour, Amps, Power Factor, Volt-Amp Reactive, Volt-Amp Reactive Hour, Volt Amps, Volts, Watt Hours, Watts										
Part number	Type	RX3000	U30	H21	H22	U12	U14	UX90	UX100	UX120
T-VER-E50B2	Power & Energy meter	√	√	√	√					√

Pulse										
Part number	Type	RX3000	U30	H21	H22	U12	U14	UX90	UX100	UX120
S-UCC-M001	Electronic switch pulse input adapter - 1m	√	√	√	√					
S-UCC-M006	Electronic switch pulse input adapter - 6m	√	√	√	√					
S-UCD-M001	Contact closure pulse input adapter - 1m	√	√	√	√					
S-UCD-M006	Contact closure pulse input adapter - 6m	√	√	√	√					
CABLE-2.5-STEREO	Voltage input cable 0-2.5 VDC							√		◆

## Time-of-Use

Motor On/Off										
Part number	Type	RX3000	U30	H21	H22	U12	U14	UX90	UX100	UX120
CSV-A8 <sup>1</sup>	AC current switch							√		√

## Water

Water Temperature										
Part number	Type	RX3000	U30	H21	H22	U12	U14	UX90	UX100	UX120
S-TMB-M002 <sup>1</sup>	12-bit Temp smart (2m cable)	√	√	√	◆		◆			
S-TMB-M006	12-bit Temp smart (6m cable)	√	√	√	◆		◆			
S-TMB-M017	12-bit Temp smart (17m cable)	√	√	√	◆		◆			
TMC1-HD	Air/Water/Soil Temp (1' cable)					√				◆
TMC6-HD	Air/Water/Soil Temp (6' cable)					√				◆
TMC20-HD	Air/Water/Soil Temp (20' cable)					√				◆
TMC50-HD	Air/Water/Soil Temp (50' cable)					√				◆

## Weather/Field

Temperature										
Part number	Type	RX3000	U30	H21	H22	U12	U14	UX90	UX100	UX120
S-THB-M002 <sup>1</sup>	12-bit Temp/RH smart (2m cable)	√	√	√	◆		◆			
S-THB-M008 <sup>1</sup>	12-bit Temp/RH smart (8m cable)	√	√	√	◆		◆			
S-TMB-M002	12-bit Temp smart (2m cable)	√	√	√	◆		◆			
S-TMB-M006	12-bit Temp smart (6m cable)	√	√	√	◆		◆			
S-TMB-M017	12-bit Temp smart (17m cable)	√	√	√	◆		◆			
TC6-J	Type J beaded thermocouple								√*	◆
TC6-K	Type K beaded thermocouple								√*	◆
TC6-T	Type T beaded thermocouple								√*	◆
TCP6-K12	Type K probe thermocouple								√*	◆
TMC1-HD	Air/Water/Soil Temp (1' cable)					√				◆
TMC6-HD	Air/Water/Soil Temp (6' cable)					√				◆
TMC20-HD	Air/Water/Soil Temp (20' cable)					√				◆
TMC50-HD	Air/Water/Soil Temp (50' cable)					√				◆
TMC6-HC	Stainless Steel Temp probe (6' cable)					√				◆
TMC6-HE	Pipe Temp (6' cable)					√				◆

◆ This logger is intended for indoor environments, but sensors are compatible.

\* Requires UX100-014M Thermocouple logger.

<sup>1</sup> Note: Temp & RH NIST certification services available for this product. Please visit [onsetcomp.com](http://onsetcomp.com), or call us at 1-800-564-4377.



# External Sensors by Measurement

## Weather/Field (continued)

PAR										
Part number	Type	RX3000	U30	H21	H22	U12	U14	UX90	UX100	UX120
S-LIA-M003	Photosynthetic light (PAR)	√	√	√	◆					

Solar Radiation										
Part number	Type	RX3000	U30	H21	H22	U12	U14	UX90	UX100	UX120
S-LIB-M003	Solar radiation	√	√	√	◆					

Barometric Pressure										
Part number	Type	RX3000	U30	H21	H22	U12	U14	UX90	UX100	UX120
S-BPB-CM50	Barometric pressure	√	√	√	◆					
S-BPA-CM10	HWS barometric pressure				◆					

Wind Speed & Direction										
Part number	Type	RX3000	U30	H21	H22	U12	U14	UX90	UX100	UX120
S-WDA-M003	Wind direction (3m cable)	√	√	√	◆					
S-WSB-M003	Wind speed Smart Sensor (3m cable)	√	√	√	◆					
S-WSET-A	Wind Smart Sensor set	√	√	√	◆					
S-WCB-M003	R.M. Young wind monitor-AQ adapter	√	√	√	◆					
S-WCC-M003	R.M. Young marine wind adapter	√	√	√	◆					
S-WCE-M003	R.M. Young wind monitor adapter	√	√	√	◆					
S-WCF-M003	Davis Wind Speed/Direction Smart Sensor	√	√	√	◆					

Rainfall										
Part number	Type	RX3000	U30	H21	H22	U12	U14	UX90	UX100	UX120
S-RGA-M002	.01" Rain gauge Smart Sensor (2m cable)	√	√	√	◆					
S-RGB-M002	.2mm Rain gauge Smart Sensor (2m cable)	√	√	√	◆					
S-RGC-M002	Davis 0.01" Rain Gauge Smart Sensor	√	√	√	◆					
S-RGF-M002	Davis 0.2 mm Rain Gauge Smart Sensor	√	√	√	◆					

Soil Moisture										
Part number	Type	RX3000	U30	H21	H22	U12	U14	UX90	UX100	UX120
S-SMC-M005	EC-5 soil moisture Smart Sensor	√	√	√	◆					
S-SMD-M005	10HS soil moisture Smart Sensor	√	√	√	◆					

Leaf Wetness										
Part number	Type	RX3000	U30	H21	H22	U12	U14	UX90	UX100	UX120
S-LWA-M003	Leaf wetness Smart Sensor	√	√	√	◆					

Relative Humidity										
Part number	Type	RX3000	U30	H21	H22	U12	U14	UX90	UX100	UX120
S-THB-M002	12-bit Temp/RH smart (2m cable)	√	√	√	√		√			
S-THB-M008	12-bit Temp/RH smart (8m cable)	√	√	√	√		√			

◆ This logger is intended for indoor environments, but sensors are compatible.

# The Onset Advantage

## Responsiveness

Your projects have tight deadlines that your monitoring partner must be able to meet. Onset offers a highly responsive, dynamic manufacturing environment where we build and ship all our products directly from our headquarters on Cape Cod. Our centralized operations and large capacity enable us to provide fast turnaround to meet your tight project deadlines. Most orders ship within 24 hours.



## Reliable, Accurate Data

No matter what your application involves, at the end of the day it all comes down to the integrity of your data. Our HOBO data loggers are known for providing the most reliable, accurate energy and environmental data under some of the world's toughest environmental conditions. And our InTemp monitoring solutions meet CDC requirements for calibrated temperature monitoring with devices backed by a Certificate of Calibration Testing.



## Simple & Cost-Effective

At Onset, we realize that the technology skill set of our customers and their technology budgets can vary widely. For this reason, our products are designed from the ground up with ease-of-use and affordability in mind.



## Applications Expertise

With more than three decades of experience in solving data logging applications, Onset has developed an applications expertise that is second to none. Whether it's air quality, agricultural research, preservation management, water quality, or temperature-controlled storage monitoring, chances are we have seen your application before and know what it takes to solve it.



## World Class Support

Many of our new customers are surprised to find that when they call Onset, a live person answers the phone. Our world-class technical service department is staffed by friendly, knowledgeable people who listen carefully to your questions and guide you through any challenges that arise. Unlike many technology companies, Onset offers free technical support for the life cycle of your purchase.



*"The time reduction for downloading the MX2001 logger in our wells is significant, since most are 25 to 500 feet deep. The Bluetooth capability eliminates the need to remove the logger from the well and threat of tangled cable."*

David Light,  
West Virginia University