

# Accu-CT<sup>®</sup> SPLIT-CORE CTs

**Wide Range, Unprecedented Linearity**



U.S. Patent 8,587,399  
U.S. Patent 8,847,576

## ACT-0750 / ACT-1250

The family of Accu-CT<sup>®</sup> standard and revenue-grade, split-core current transformers offer outstanding linearity, very low phase angle error, easy one-handed opening and closing, with a safe 0.333 Vac low voltage output.

The standard Accu-CT meets IEEE C57.13 class 1.2, and when ordered with Option C0.6 it meets IEEE C57.13 class 0.6 accuracy standards. Each option C0.6 CT ships with a certificate of calibration.

Designed specifically for the WattNode<sup>®</sup> energy and power meters, the Accu-CT is available in two window opening sizes. The ACT-0750 has a window opening of 0.75" x 0.75" for current measurements up to 250 amps while the ACT-1250, with its unique oblong shaped window opening of 1.83" across, is designed for loads up to 600 amps. Both models are available in standard and revenue-grade accuracies and offer a wider range of reading from 1% to 120% of primary rated current, wider than other standard current transformers.

## Specifications

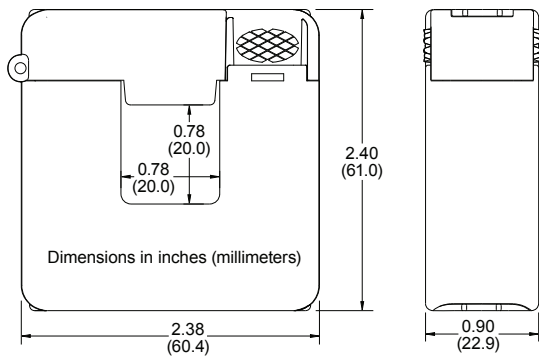
	ACT-0750	ACT-0750 Opt C0.6	ACT-1250	ACT-1250 Opt C0.6
Accuracy	0.75%	0.50%	0.75%	0.50%
Rated Amps	5, 20, 50, 100, 150, 200, 250	20, 50, 100, 200, 250	250, 400, 600	250, 400, 600
Optional Rated Amps	15, 30, 70	15, 30, 70, 150		
Hz	50 or 60 Hz	50 or 60 Hz	50/60 Hz	50/60 Hz
Accuracy Class	IEEE/ANSI C57.13, Class 1.2	IEEE/ANSI C57.13, Class 0.6	IEEE/ANSI C57.13, Class 1.2	IEEE/ANSI C57.13, Class 0.6
CE Accuracy	IEC 60044-1 Class 1.0	IEC 60044-1 Class 0.5 S	IEC 60044-1 Class 1.0	IEC 60044-1 Class 0.5 S
CE Safety	CE	CE	CE	CE
RoHS Compliance	√	√	√	√
UL USA	UL recognized - XODW2	UL recognized - XODW2	UL listed - XOBA	UL listed - XOBA
UL Canada	UL recognized - XODW8	UL recognized - XODW8	UL listed - XOBA7	UL listed - XOBA7
Standard Lead Length	8 ft (2.4m) 22 AWG	8 ft (2.4m) 22 AWG	8 ft (2.4m) 18 AWG	8 ft (2.4m) 18 AWG
Phase Angle	±0.50 degrees	±0.25 degrees, ±0.50 degrees below 0°C	±0.50 degrees	±0.25 degrees
Output Options	0.333 Vac, 1 V, 100 mA	0.333 Vac, 1 V, 100 mA	0.333 Vac, 1 V, 100 mA	0.333 Vac, 1 V, 100 mA
Operating Temperature	-30°C to 55°C	-30°C to 55°C	-30°C to 75°C	-30°C to 75°C
Line Frequency	Opt 50 Hz	Opt 50 Hz	Opt 50 Hz	Opt 50 Hz
No Load	Opt NL	Opt NL	Not required	Not required
Option 50 Hz Available	√	√	Not required	Not required
List Price	\$47.00	\$57.00	\$56.00	\$67.00



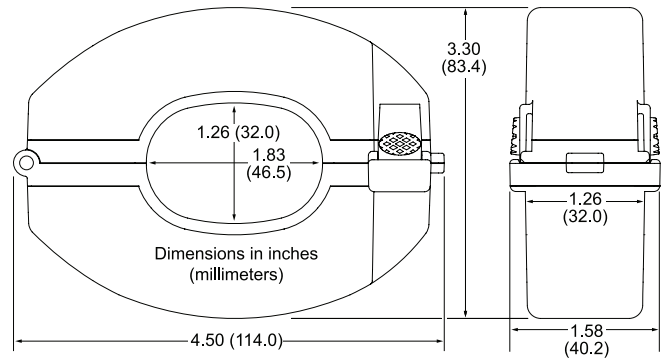
**OneTemp<sup>o</sup>** pty ltd  
MEASURE | CONTROL | RECORD  
[www.onetemp.com.au](http://www.onetemp.com.au)  
1300 768 887

## Dimensions

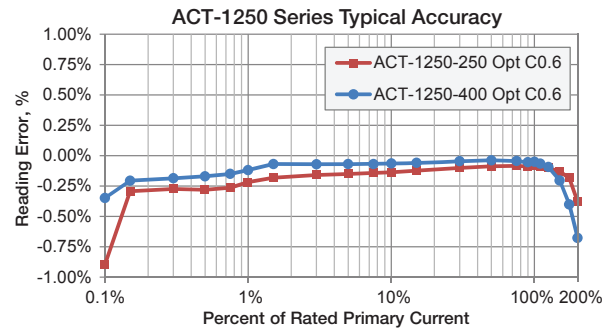
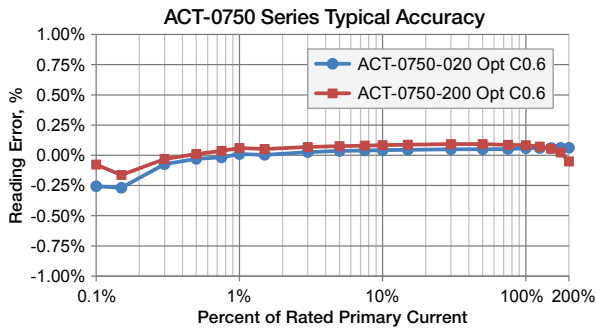
ACT-0750



ACT-1250



## Performance



Graphs show typical performance at 23°C, 60 Hz. Graph shows a positive phase angle when the output leads the primary current.

## Model Numbers and Prices

Options and non-stock models, consult factory for pricing

Standard ACT-0750 Models	MSRP	Revenue ACT-0750 Models	MSRP
ACT-0750-005		ACT-0750-020 Opt C0.6	
ACT-0750-020		ACT-0750-050 Opt C0.6	
ACT-0750-050		ACT-0750-100 Opt C0.6	
ACT-0750-100		ACT-0750-200 Opt C0.6	
ACT-0750-150		ACT-0750-250 Opt C0.6	
ACT-0750-200			
ACT-0750-250			
Revenue ACT-1250 Models	MSRP	Revenue ACT-1250 Models	MSRP
ACT-1250-250		ACT-1250-250 Opt C0.6	
ACT-1250-400		ACT-1250-400 Opt C0.6	
ACT-1250-600		ACT-1250-600 Opt C0.6	